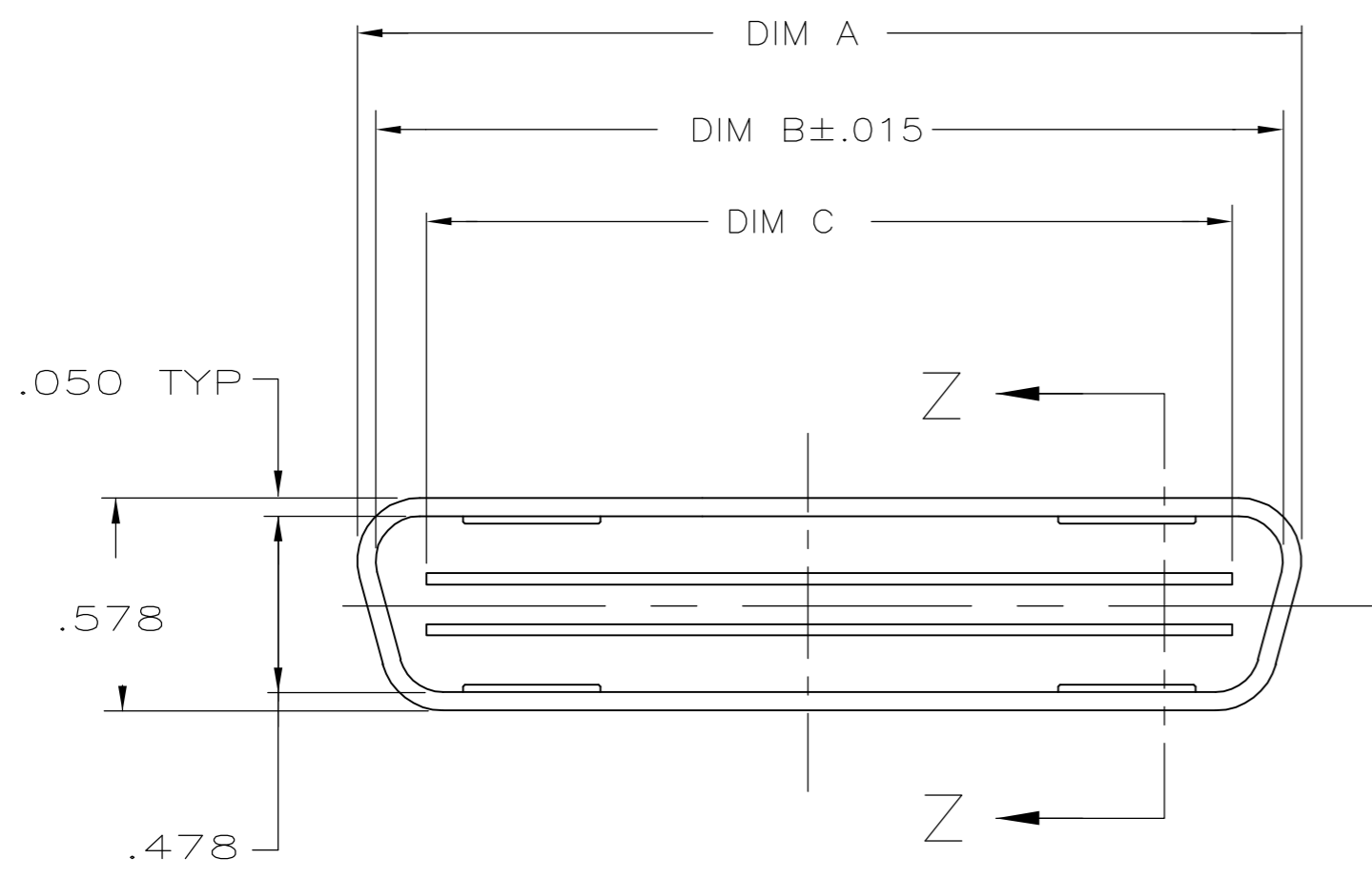
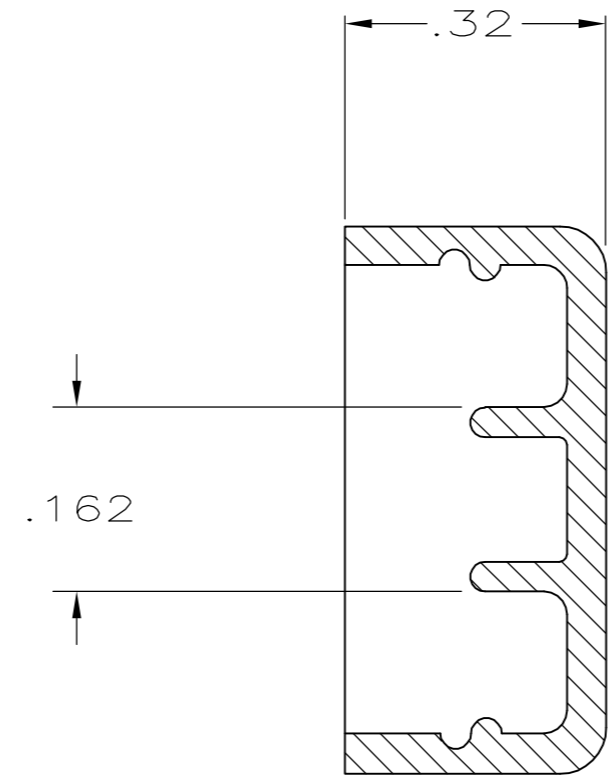


THIS DRAWING IS UNPUBLISHED. RELEASED FOR PUBLICATION
 © COPYRIGHT BY TYCO ELECTRONICS CORPORATION. ALL RIGHTS RESERVED.

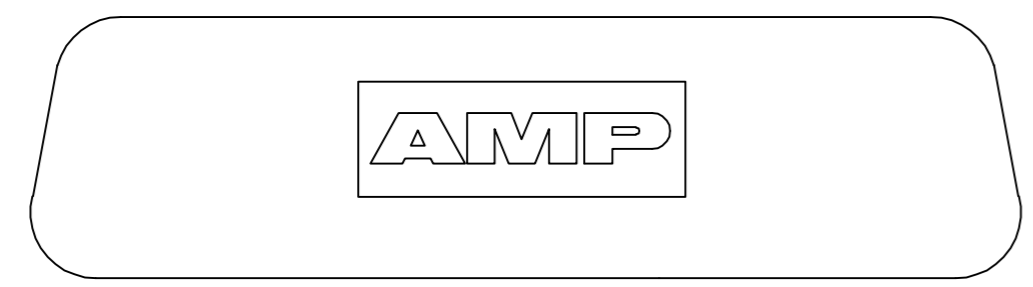
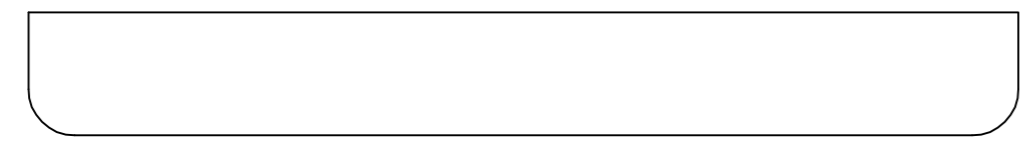
LOC	DIST	REVISIONS			
P	LTR	DESCRIPTION	DATE	DWN	APVD
AA	40	K	REVISED PER ECO-07-007301	29MAR07	JDP WLM



1. ALL DIMENSIONS SHOWN ARE FOR REFERENCE ONLY UNLESS OTHERWISE SPECIFIED.
- △ THERMOPLASTIC, COLOR: RED.



SECTION Z-Z
SCALE 4:1



OBSOLETE	.662	1.012	1.112	14	229969-5
	1.087	1.437	1.537	24	229969-4
	1.597	1.947	2.047	36	229969-3
	2.787	3.137	3.237	64	229969-2
	2.192	2.542	2.642	50	229969-1
	DIM. C	DIM. B	DIM. A	POSITION	PART NO.

THIS DRAWING IS A CONTROLLED DOCUMENT.		DWN GP MACARTHUR 15 MAR 94	tyco Tyco Electronics Corporation Harrisburg, PA 17105-3608	
DIMENSIONS: mm [INCHES]		CHK N. JONES 18 MAR 94	NAME COVER, DUST, RECEPTACLE, CHAMP	
TOLERANCES UNLESS OTHERWISE SPECIFIED:		APVD J. TRAMMEL 21 MAR 94	RESTRICTED TO	
0 PLC ± -		PRODUCT SPEC	SIZE CAGE CODE DRAWING NO	
1 PLC ± -		APPLICATION SPEC	A2 00779 C=229969	
2 PLC ± .02		WEIGHT	SCALE 2:1 SHEET 1 of 1 REV K	
3 PLC ± .005		CUSTOMER DRAWING		
4 PLC ± -				
ANGLES ± -				
FINISH				
MATERIAL △				